

# Manual Supplement

Manual Title:	700HPPK Instruction Sheet	Supplement Issue:	1
Print Date:	September 2016	Issue Date:	9/16
Part Number:	4784850	Page Count:	1
Revision/Date:			

---

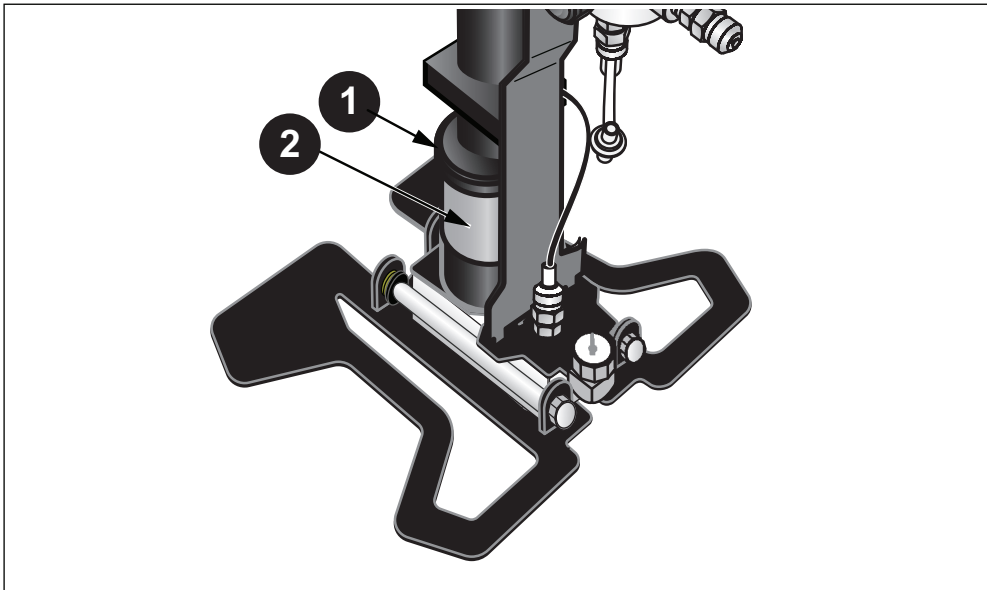
---

This supplement contains information necessary to ensure the accuracy of the above manual.

## Change #1, 330

Under **Setup** add this procedure as part of the initial set up, see Figure 1:

1. Unscrew and open the black lid **1** of the clear desiccant tube at the base of the pump.
2. Tear open one of the sealed desiccant packs provided with the pump and pour the desiccant material into the clear desiccant tube **2**.
3. Screw the lid back on.
4. Repeat this process every 3-4 months or as necessary to keep moisture out of the desiccant.



idg003.eps

Figure 1.