

HIGH PRESSURE FILTER KIT, INCLUDES:

DESCRIPTION	QTY	PART NO.
High Pressure Filter	1	103739
Instruction Sheet	1	560083

INTRODUCTION

The High Pressure Filter (see Figure 1) is intended for use with the PPCH Hydraulic Pressure Controller. The filter connects to either a stand alone PPCH (see Figure 2) or to a PPCH with a PG7302 (see Figure 3). This document contains instructions for connecting the fittings and tubing for optimal proper performance.

The filter has DH500 fittings at either end. This is the same type of fitting that is on the PPCH TEST port. It is important that the filter be positioned and oriented as shown in Figure 2 and Figure 3. In particular, the filter should not be installed between the PPCH and the PG7302 piston gauge.

CLEANING OR REPLACING THE FILTER

Depending on operating conditions, the filter may become filled with contaminants from the test circuit. This means the filter is doing its job.

If the filter shows signs of reduced flow, the filter should be replaced with a new filter. Alternatively the filter may be backwashed to remove contaminants, however backwashing must be done very carefully to avoid introducing contaminants to the PPCH. The safest backwash method is to disconnect the inlet (DUT side) of the filter and use the PPCH prime function to run oil through the filter and into a catch vessel.

Disconnecting the filter to run a high pressure solvent through the filter elements may be done but great care must be taken to ensure that the solvent is completely removed and no particles or contaminants are introduced to the outlet (PPCH side) of the filter.

⚠ *If the filter becomes clogged in use then a pressure difference between the PPCH or PPCH/PG and the DUT may result during pressure ramps, including vent. This could prevent proper operation and cause significant measurement error.*



Figure 1: High Pressure Filter

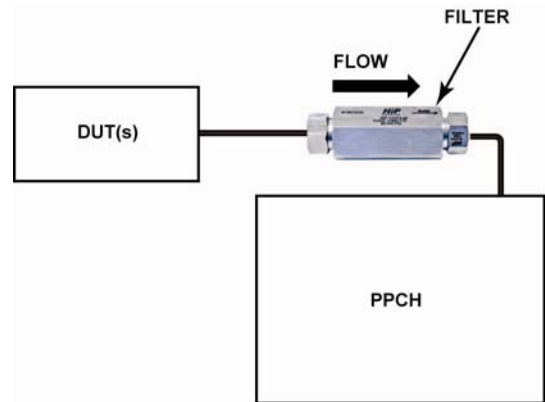


Figure 2: Installation of filter on stand alone PPCH.

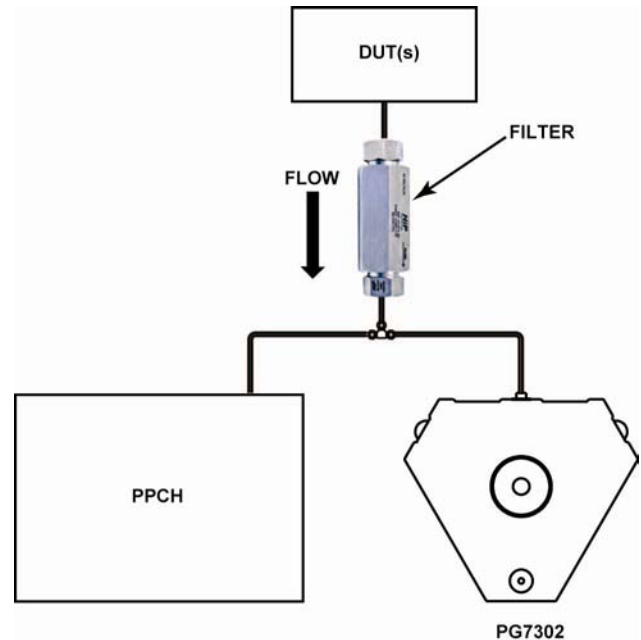


Figure 3: Installation of filter on PPCH with a PG7302.