

# P5521 & P5522

Liquid Separator

Users Manual

## LIMITED WARRANTY AND LIMITATION OF LIABILITY

Each Fluke product is warranted to be free from defects in material and workmanship under normal use and service. The warranty period is one year and begins on the date of shipment. Parts, product repairs, and services are warranted for 90 days. This warranty extends only to the original buyer or end-user customer of a Fluke authorized reseller, and does not apply to fuses, disposable batteries, or to any product which, in Fluke's opinion, has been misused, altered, neglected, contaminated, or damaged by accident or abnormal conditions of operation or handling. Fluke warrants that software will operate substantially in accordance with its functional specifications for 90 days and that it has been properly recorded on non-defective media. Fluke does not warrant that software will be error free or operate without interruption.

Fluke authorized resellers shall extend this warranty on new and unused products to end-user customers only but have no authority to extend a greater or different warranty on behalf of Fluke. Warranty support is available only if product is purchased through a Fluke authorized sales outlet or Buyer has paid the applicable international price. Fluke reserves the right to invoice Buyer for importation costs of repair/replacement parts when product purchased in one country is submitted for repair in another country.

Fluke's warranty obligation is limited, at Fluke's option, to refund of the purchase price, free of charge repair, or replacement of a defective product which is returned to a Fluke authorized service center within the warranty period.

To obtain warranty service, contact your nearest Fluke authorized service center to obtain return authorization information, then send the product to that service center, with a description of the difficulty, postage and insurance prepaid (FOB Destination). Fluke assumes no risk for damage in transit. Following warranty repair, the product will be returned to Buyer, transportation prepaid (FOB Destination). If Fluke determines that failure was caused by neglect, misuse, contamination, alteration, accident, or abnormal condition of operation or handling, including overvoltage failures caused by use outside the product's specified rating, or normal wear and tear of mechanical components, Fluke will provide an estimate of repair costs and obtain authorization before commencing the work. Following repair, the product will be returned to the Buyer transportation prepaid and the Buyer will be billed for the repair and return transportation charges (FOB Shipping Point).

THIS WARRANTY IS BUYER'S SOLE AND EXCLUSIVE REMEDY AND IS IN LIEU OF ALL OTHER WARRANTIES, EXPRESS OR IMPLIED, INCLUDING BUT NOT LIMITED TO ANY IMPLIED WARRANTY OF MERCHANTABILITY OR FITNESS FOR A PARTICULAR PURPOSE. FLUKE SHALL NOT BE LIABLE FOR ANY SPECIAL, INDIRECT, INCIDENTAL, OR CONSEQUENTIAL DAMAGES OR LOSSES, INCLUDING LOSS OF DATA, ARISING FROM ANY CAUSE OR THEORY.

Since some countries or states do not allow limitation of the term of an implied warranty, or exclusion or limitation of incidental or consequential damages, the limitations and exclusions of this warranty may not apply to every buyer. If any provision of this Warranty is held invalid or unenforceable by a court or other decision-maker of competent jurisdiction, such holding will not affect the validity or enforceability of any other provision.

Fluke Corporation  
P.O. Box 9090  
Everett, WA 98206-9090  
U.S.A.

Fluke Europe B.V.  
P.O. Box 1186  
5602 BD Eindhoven  
The Netherlands

11/99

To register your product online, visit [register.fluke.com](http://register.fluke.com)

# Table of Contents

Chapter	Title	Page
<b>1</b>	<b>Preparation .....</b>	<b>1-1</b>
	Introduction.....	1-1
	How to Contact Fluke.....	1-1
	Operating Fluid Compatibility.....	1-2
	Safety Information.....	1-2
	Safety Summary.....	1-2
	Compressed Liquid.....	1-2
	Personal Protective Equipment.....	1-2
	Symbols Used in this Manual.....	1-2
	Applying Pressure Corrections.....	1-3
<b>2</b>	<b>Connections.....</b>	<b>2-1</b>
	Introduction.....	2-1
	Test Port Insert.....	2-4
<b>3</b>	<b>Operation .....</b>	<b>3-1</b>
	Priming.....	3-1
	Operation.....	3-2
<b>4</b>	<b>Maintenance &amp; Servicing.....</b>	<b>4-1</b>
	Introduction.....	4-1
	Diaphragm Replacement.....	4-1
<b>5</b>	<b>Ancillary Equipment.....</b>	<b>5-1</b>
	Angle Adapter, P5543.....	5-1
	Pointer Remover/Punch, P5551.....	5-2



# ***List of Tables***

<b>Table</b>	<b>Title</b>	<b>Page</b>
1-1.	Operating Fluid Compatibility .....	1-2
1-2.	Symbols.....	1-2
2-1.	Test Port Insert Parts .....	2-4
4-1.	P5521/P5522 - Parts List.....	4-5



# ***List of Figures***

<b>Figure</b>	<b>Title</b>	<b>Page</b>
1-1.	Schematic of Separator/Deadweight Tester Arrangement .....	1-3
2-1.	Connecting the Gauge .....	2-2
2-2.	Screw Assembly Down .....	2-2
2-3.	Adjust the Gauge .....	2-3
2-4.	Tighten the Gauge .....	2-3
2-5.	Hand Tighten Only .....	2-3
2-6.	Test Port Insert .....	2-4
3-1.	Diagram of Stage 1 .....	3-2
3-2.	Diagram of Stage 2 .....	3-2
3-3.	Diagram of Stage 3 .....	3-3
4-1.	Screw Torque Sequence .....	4-2
4-2.	Reservoir Assembly .....	4-3
4-3.	Pressure Chamber Assembly .....	4-4
5-1.	Angle Adapter .....	5-1
5-2.	Pointer Remover/Punch .....	5-2





# Chapter 1

## Preparation

### Introduction

This manual applies to the P5521 and P5522 Liquid Separators.

The Liquid Separator is used to separate the working fluid of the deadweight tester to which it is fitted, from the working fluid in the device under test. This prevents contamination of either hydraulic system, and allows calibration of the device in its specific working fluid. See Schematic, 1-1, at the end of this Chapter.

#### Note

*The term “Device Under Test (DUT)” in this document refers to any pressure-measuring instrument such as Gauges, Transfer Standards, Digital Calibrators and Transducers.*

The two liquids are separated by flexible diaphragm held across the internal chamber.

### How to Contact Fluke

To order accessories, receive operating assistance, or get the location of the nearest Fluke distributor or Service Center, call:

- Technical Support USA: 1-800-99-FLUKE (1-800-993-5853)
- Calibration/Repair USA: 1-888-99-FLUKE (1-888-993-5853)
- Canada: 1-800-36-FLUKE (1-800-363-5853)
- Europe: +31-402-675-200
- China: +86-400-810-3435
- Japan: +81-3-3434-0181
- Singapore: +65-738-5655
- Anywhere in the world: +1-425-446-5500

Or, visit Fluke's website at [www.fluke.com](http://www.fluke.com).

To register your product, visit <http://register.fluke.com>.

To view, print, or download the latest manual supplement, visit <http://us.fluke.com/usen/support/manuals>.

## Operating Fluid Compatibility

The table below details the sealing materials used in the two versions of this instrument. The P5521 is designed to work with a wide range of fluids compatible with Viton, but the P5522 is specifically designed for use with Skydrol, brake fluids and other, similar aggressive fluids compatible with PTFE and EPDM. The maximum working pressure of the P5522 is limited to 7,000 psi / 500 bar, due to the PTFE diaphragm.

Table 1-1. Operating Fluid Compatibility

Model	Diaphragm	O Rings
P5521 (MWP 10,000 psi / 700 bar)	Viton	Viton
P5522 (MWP 7,000 psi / 500 bar)	PTFE	Ethylene Propylene

## Safety Information

### Safety Summary

The following are general safety precautions that are not related to any specific procedures and do not appear elsewhere in this publication. These are recommended precautions that personnel must understand and apply during equipment operation and maintenance to ensure safety and health and protection of property.

### Compressed Liquid

Use of compressed liquids can create an environment of propelled foreign matter. Pressure system safety precautions apply to all ranges of pressure. Care must be taken during testing to ensure that all hydraulic connections are properly and tightly made prior to applying pressure. Personnel must wear eye protection to prevent injury.

### Personal Protective Equipment





Wear eye protection approved for the materials and tools being used.

## Symbols Used in this Manual

In this manual, a **Warning** identifies conditions and actions that pose a hazard to the user. A **Caution** identifies conditions and actions that may damage the Liquid Separator.

Symbols used on the Liquid Separator and in this manual are explained in Table 1-2.

Table 1-2. Symbols

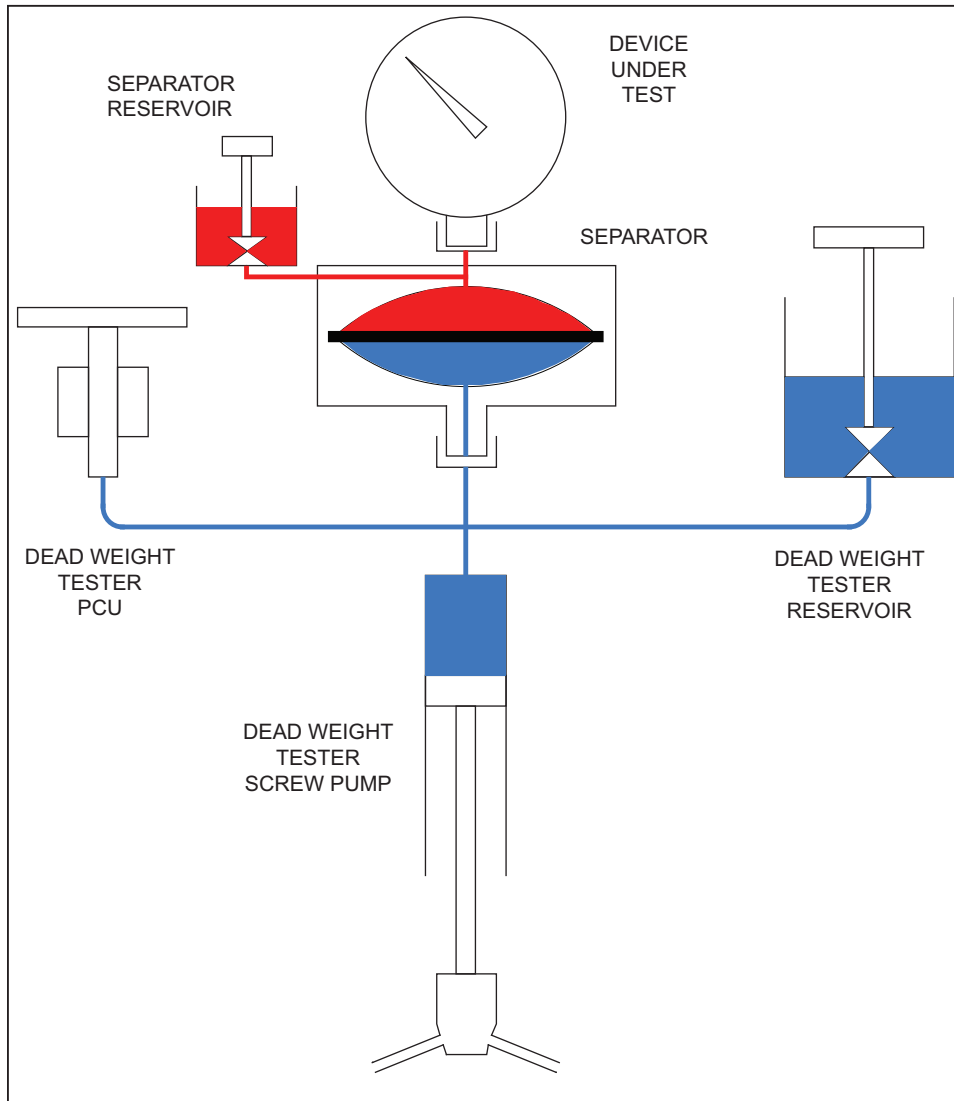
Symbol	Description
	AC (Alternating Current)
	Earth Ground
	Important Information: refer to manual
	Do not dispose of this product as unsorted municipal waste. Go to Fluke's website for recycling information.

## Applying Pressure Corrections

For ease of operation, the liquid separator is designed to be mounted directly to the test port on a deadweight tester. This creates an additional head of fluid above the pressure reference level on the deadweight tester, which means that 0.15 psi / 0.1 bar (or equivalent) should be deducted from the reading of the deadweight tester to maintain accuracy.

The flexible diaphragm will be displaced from the center of the chamber during normal operation, but its elastic properties will always tend to try to return it to central, neutral position. This “spring” effect exerts a small force on the fluid. As there is no way to determine the diaphragm’s position relative to the center of the chamber at any given time, a “diaphragm rating” uncertainty of  $\pm 0.15$  psi / 0.1 bar (or equivalent) should be applied to the pressure reading to maintain accuracy.

Both of the above effects are relatively small “constant” errors, which can be important when calibrating at low pressures, but become less significant as the pressure increases.



**Figure 1-1. Schematic of Separator/Deadweight Tester Arrangement**

gkq005.eps



# Chapter 2

## Connections

### Introduction

Fit the device under test (DUT) to the test port using the method described below:

#### **⚠ Caution**

**Ensure that all devices are internally clean and free from contamination before connecting to the separator.**

**Particle contamination can damage or puncture the diaphragm causing cross-contamination of both systems.**

#### **⚠ Warning**

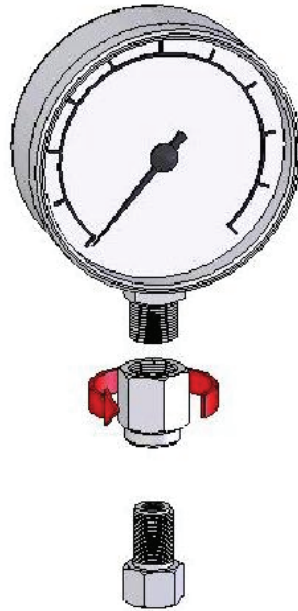
**DO NOT use Teflon/PTFE tape on these connections as this will prevent correct sealing. The Gauge Adapter sealing system is designed for hand-tight sealing up to 20,000 psi / 1,400 bar—wrenches or similar tools are not required—over tightening can cause damage to threads or sealing faces.**

**Before connection, ensure that there is an O-ring fitted to the test port.**

**Check that the sealing face of the device to be fitted is clean and undamaged, as scratches or dents can form leak-paths.**

#### *Note*

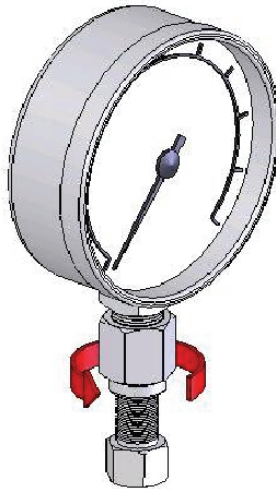
*The thread on the test port, and the lower part of the gauge adapters is LEFT-HANDED. The following procedure details the correct method for mounting devices using these adapters:*



**Figure 2-1. Connecting the Gauge**

gkq006.bmp

1. Screw the appropriate gauge adapter fully on to the instrument to be tested.
2. Screw assembly down COUNTER-CLOCKWISE on to test port.

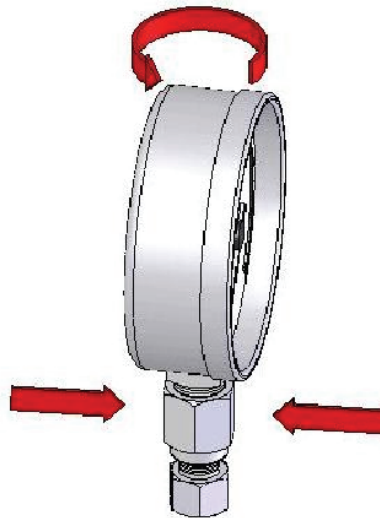


**Figure 2-2. Screw Assembly Down**

gkq007.bmp

*Note*

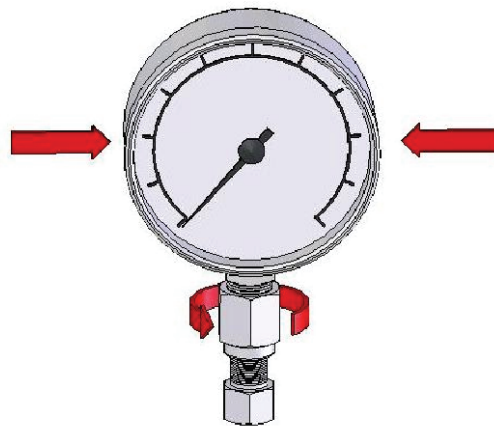
*Hand-tight is sufficient; ensure that the bottom face contacts the O-ring on the test port.*



**Figure 2-3. Adjust the Gauge**

gkq009.bmp

3. To adjust the position to face forward, hold the gauge adapter and turn the instrument COUNTER-CLOCKWISE, so that it faces forward.
4. Hold the instrument steady, while turning the gauge adapter COUNTER-CLOCKWISE until it pulls down onto the O-ring.



**Figure 2-4. Tighten the Gauge**

gkq010.bmp



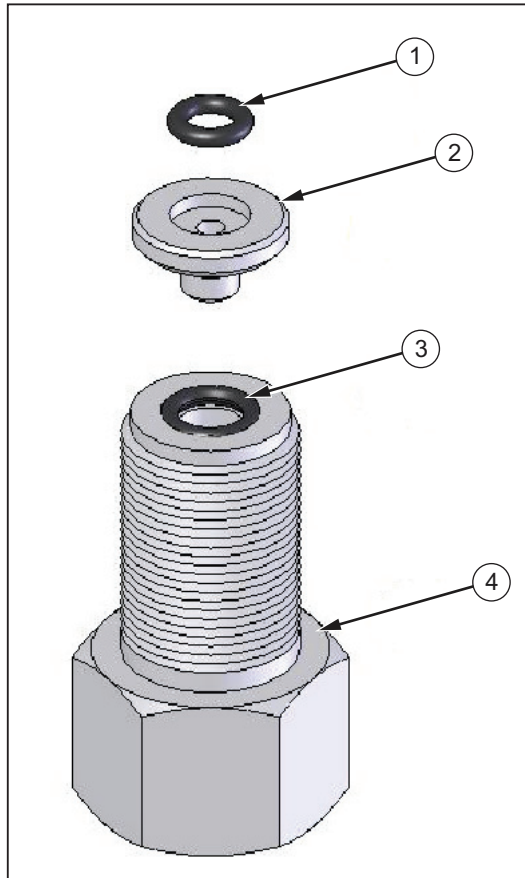
**Figure 2-5. Hand Tighten Only**

gkq011.bmp

**Test Port Insert**

For devices with 1/8 BSP or NPT mounting threads, the diameter of the thread is very close to the effective sealing diameter of the O-ring fitted to the test port.

This can make it difficult to achieve a good seal. When mounting these devices, use the test port insert as shown in Figure 2-6.



**Figure 2-6. Test Port Insert**

gkq013.eps

**Table 2-1. Test Port Insert Parts**

Item	Description	PART	
		P5521	P5522
1	O Ring	3865163	3867888
2	Test Port Insert	3919892	3919892
3	O Ring	3883521	3867895
4	Test Port	3921119	3921119

To calibrate panel-mounted gauges with pressure connections in the rear, use an Angle Adapter, (See Chapter 5, Ancillary Equipment).



# Chapter 3

## Operation

### Priming

#### Warning

**To avoid damage to the instrument, the operator should check the quality of the operating fluid during use. If the fluid becomes discolored, cloudy or particles appear in the reservoir, the system should be drained and flushed with clean fluid.**

1. Fit the separator to the deadweight tester using the adapter supplied, as described in Chapter 2, above.
2. Fit the DUT to the test port of the separator.
3. Rotate reservoir dust cover through  $\frac{1}{2}$  turn and fill reservoir (6) approximately  $\frac{3}{4}$  full with the appropriate fluid. Rotate dust cover back to cover reservoir.
4. Open separator reservoir valve (1) one turn counter-clockwise.
5. Open deadweight tester reservoir valve one turn counter-clockwise, and turn screw press fully in.
6. Close reservoir valves on both separator and deadweight tester, and turn screw press fully out.
7. Open separator reservoir valve.
8. Repeat steps 4 through 7 at least three times to fully prime the deadweight tester side of the separator chamber.

#### *Note*

*For devices with large or complex internal volumes, it may be necessary to additionally repeat steps 4 through 7.*

9. Close deadweight tester reservoir valve, turn screw press in to drive trapped air into the separator reservoir.

#### Warning

**Ensure that the system pressure does not exceed 15 psi / 1 bar.**

10. Open deadweight tester reservoir valve, and turn screw press fully in.
11. Close deadweight tester reservoir valve, turn screw press fully out, then close separator reservoir valve (1).

- Open deadweight tester reservoir valve; wait for a few seconds to allow the system pressure to equalize, then close the deadweight tester reservoir valve.

## Operation

### **⚠ Warning**

**Do not exceed the maximum working pressure of the instrument.**

Both sides of the hydraulic system are now primed, perform calibration of the DUT in accordance with the normal operation of the deadweight tester.

Separator as first mounted to deadweight tester.

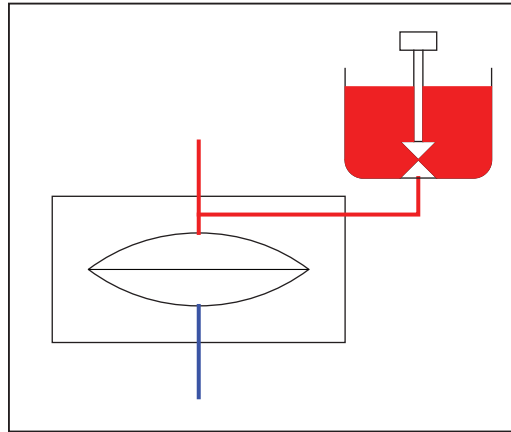


Figure 3-1. Diagram of Stage 1

gkq002.eps

The liquid is drawn into upper section of separator chamber (above diaphragm), from the reservoir.

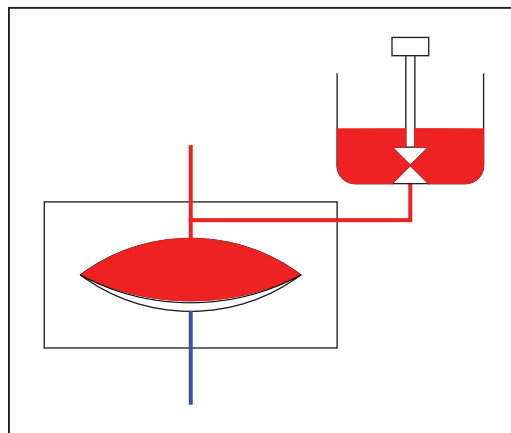


Figure 3-2. Diagram of Stage 2

gkq001.eps

The liquid from the deadweight tester is forced into lower section of separator chamber (below diaphragm), displacing liquid and trapped air above diaphragm back into reservoir.

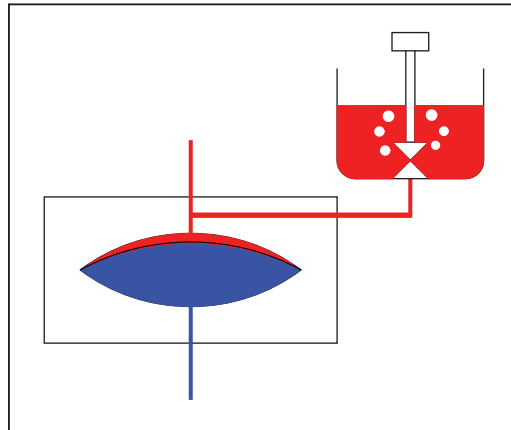


Figure 3-3. Diagram of Stage 3

gkq020.eps



# Chapter 4

## ***Maintenance & Servicing***

### ***Introduction***

The Figures on the following pages detail the components of each assembly, together with the relevant part numbers.

Before beginning any maintenance, remove the separator from the deadweight tester, any instruments that may be mounted to the separator, and drain the fluid from the system.

### ***Diaphragm Replacement***

If deadweight tester fluid appears in the separator reservoir, or separator fluid appears in the deadweight tester reservoir, then the diaphragm has been damaged. To avoid further cross-contamination, the diaphragm must be replaced.

1. Remove the 8 screws (13) in the order shown in Figure 4-1.
2. Lift off the top plate (18) assembly.
3. Remove diaphragm (20) and o-ring (21).
4. Clean and inspect the inside surfaces of top plate (18) and bottom plate (22) for signs of damage.
5. Check the operation of the mushroom valve (19) in the top plate assembly—it should move easily, and be held off of the inside surface of the chamber by a light spring-force, in its rest position.
6. Replace both the diaphragm (20) and o-ring (21) with new items, ensuring that the o-ring groove is clean.
7. Place the top plate assembly over the bottom plate assembly, and replace the screws (13) finger-tight only.
8. Re-tighten the screws to 50 ft-lb in the order shown in Figure 4-1.

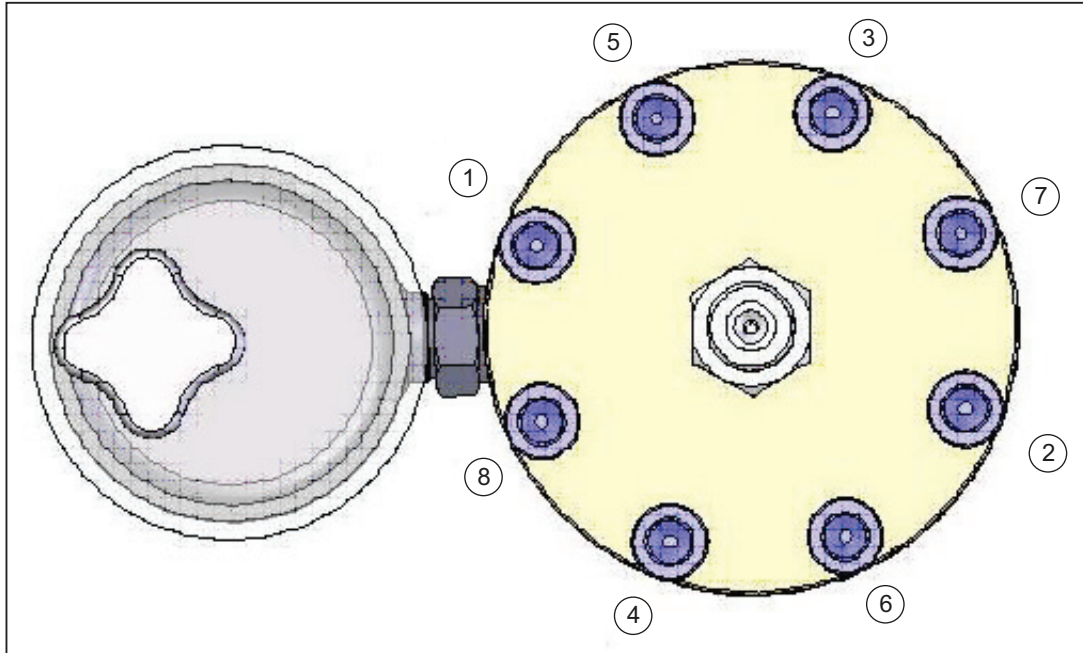


Figure 4-1. Screw Torque Sequence

gkq015.eps

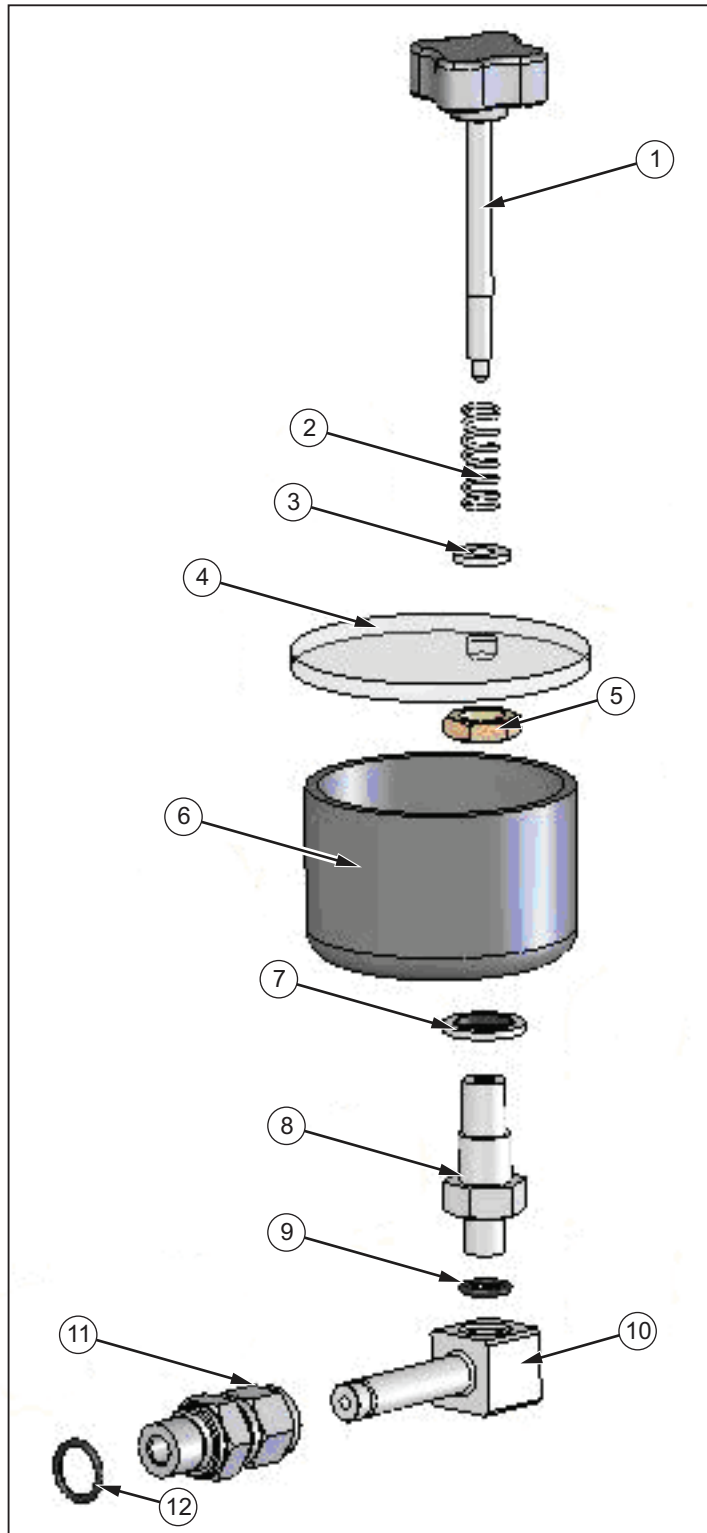


Figure 4-2. Reservoir Assembly

gkq017.eps

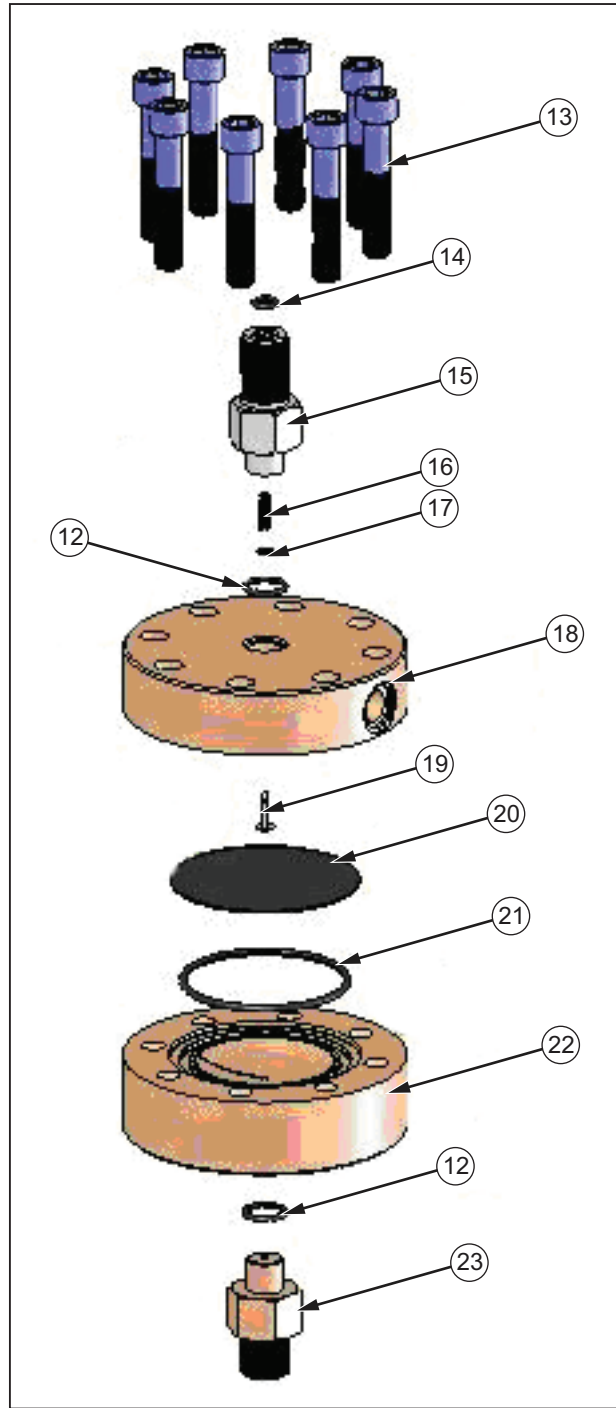


Figure 4-3. Pressure Chamber Assembly

gkq019.eps



**Table 4-1. P5521/P5522 - Parts List**

Item	Description	Part	
		P5521	P5522
1	VALVE STEM ASSEMBLY	3885982	
2	SPRING	3922786	
3	NYLON WASHER	3916458	
4	RESERVOIR COVER	3918350	
5	LOCKNUT	3918244	
6	RESERVOIR	3919463	
7	BONDED SEAL	3922096	3922043
8	VALVE BODY	3923785	
9	O RING	3865277	3921986
10	ELBOW	3919417	
11	COUPLING	3868096	
12	O RING	3919393	3921999
13	SCREW	3910324	
14	O RING	3883521	3867895
15	TEST PORT	3921119	
16	SPRING	3919387	
17	SPRING CLIP	3919379	
18	SEPARATOR TOP PLATE	3919421	
19	MUSHROOM VALVE	3919442	
20	DIAPHRAGM	3919456	3919400
21	O RING	3864891	
22	SEPARATOR BOTTOM PLATE	3919439	
23	BOTTOM CONNECTOR	3923760	



## Chapter 5 Ancillary Equipment

### **Angle Adapter, P5543**

To calibrate gauges with the pressure connection on the rear (e.g. panel-mount gauges) in their correct position, an angle adapter should be used. The angle adapter fits directly onto the test station, converting it through 90 degrees, allowing the standard adapters to be used.

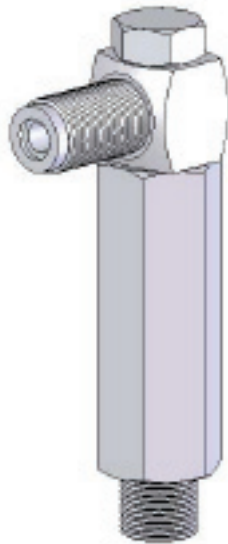


Figure 5-1. Angle Adapter

gkq003.bmp

## ***Pointer Remover/Punch, P5551***

To remove and refit the pointer of a pressure gauge, use the pointer remover/punch instrument. This tool has a spring-loaded plunger to quickly and consistently refit the pointer.



**Figure 5-2. Pointer Remover/Punch**

gkq004.bmp